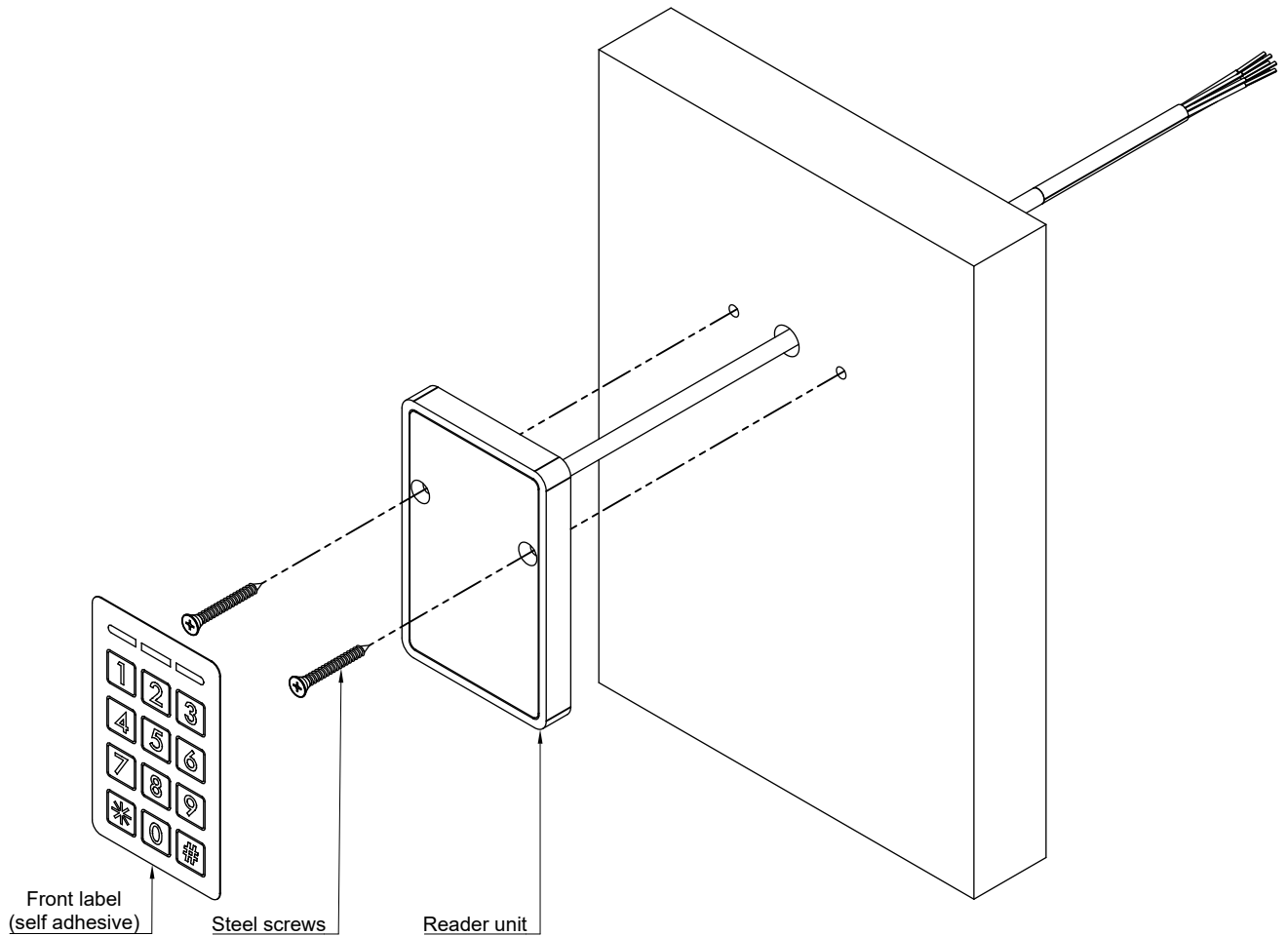
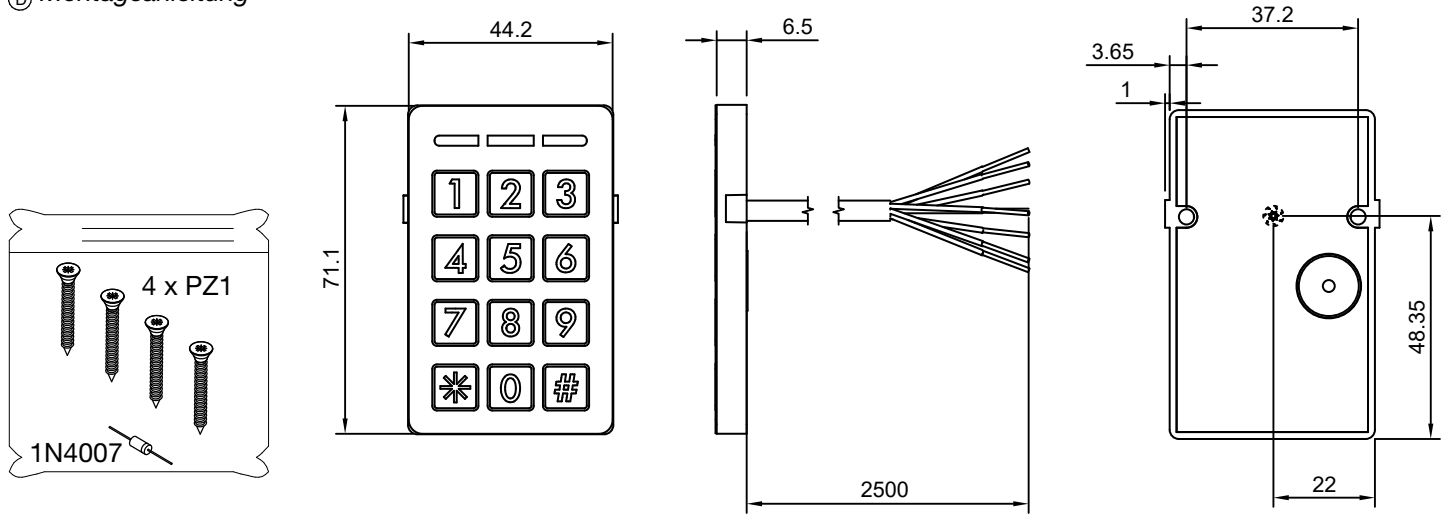
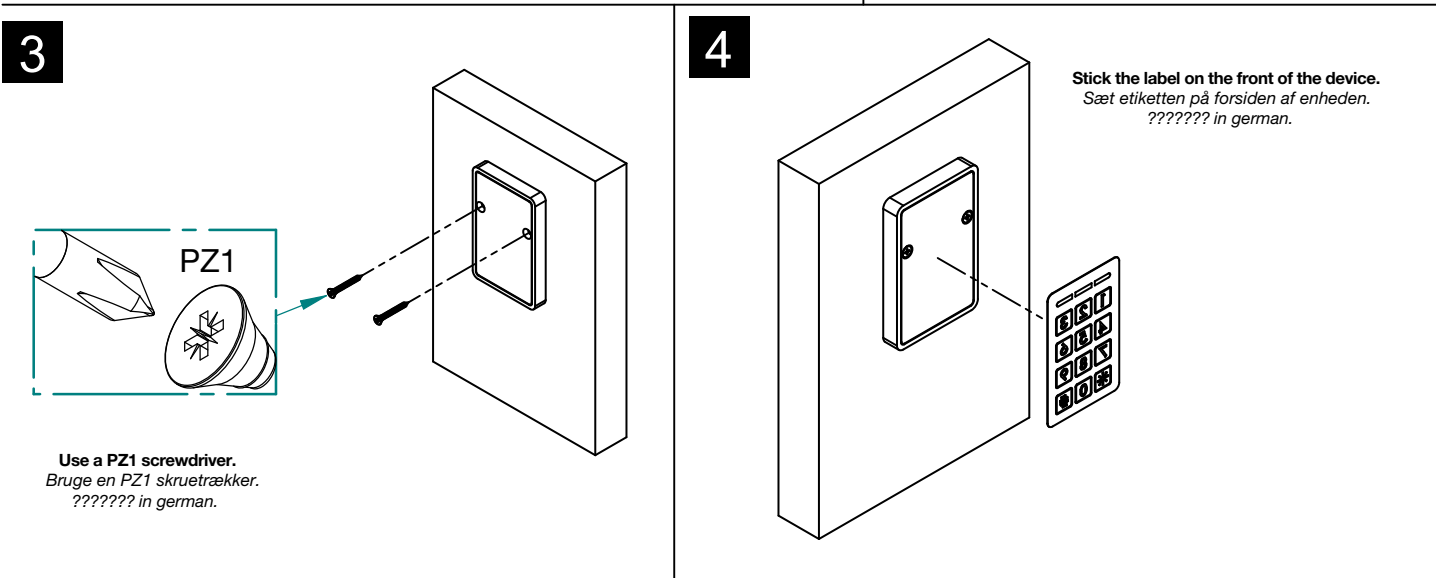
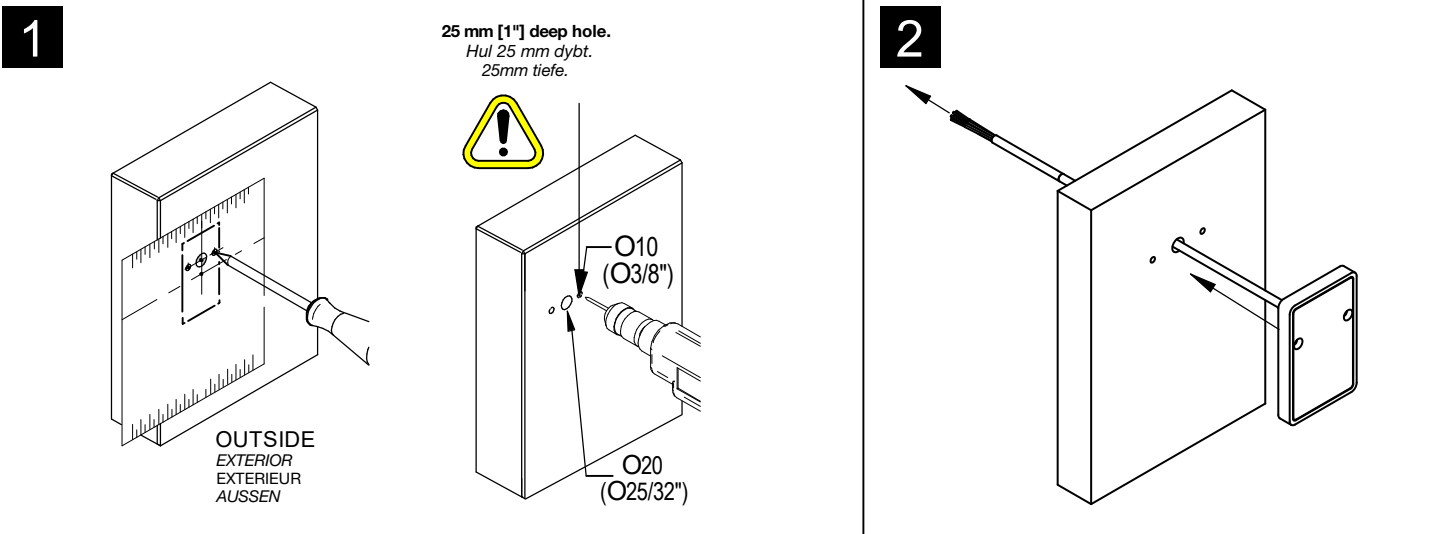


- Ⓔ Installation guide
- Ⓕ Installationsvejledning
- Ⓖ Montageanleitung

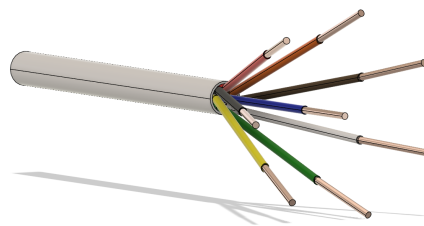


Eng Installation    Dk Installation    D Montageanleitung



Eng Wiring    Dk Kabelforbindelser    D Kabelverbindungen

Cable color	Function
●	Power +, 9 to 24 VDC, ~45mA
●	Power -, GND
○	Wiegand D1, Clock
●	Hold1, 2
●	Wiegand D0, Data
●	Input, extRed, activates/disactivates red LED, active LOW (GND)
●	Input, extBuzz activates/disactivates Buzzer, active LOW (GND)
●	Input, extGreen, activates/disactivates green LED, active LOW (GND)



Eng Electrical characteristics

Dk Elektriske detaljer

D Elektrische Eigenschaften

Eng

OPERATING CHARACTERISTICS			
	Min.	Max.	Unit
Temperature	-35	66	°C
Humidity	0	95	%

POWER SUPPLY	
9 to 24	VDC

E

MILJØBETINGELSER			
	Min.	Max.	Måleenhed
Temperatur	-35	66	°C
Fugtighed	0	95	%

STRØMFORSYNING	
9 to 24	VDC

D

OMGEVING			
	Min.	Max.	Einheit
Temperatur	-35	66	°C
Luftfeuchtigkeit	0	95	%

ENERGIEVERSORGUNG	
9 to 24	VDC